

BUTLER

Assembly Instructions
Style Number 5216

SPECIALTY COMPANY

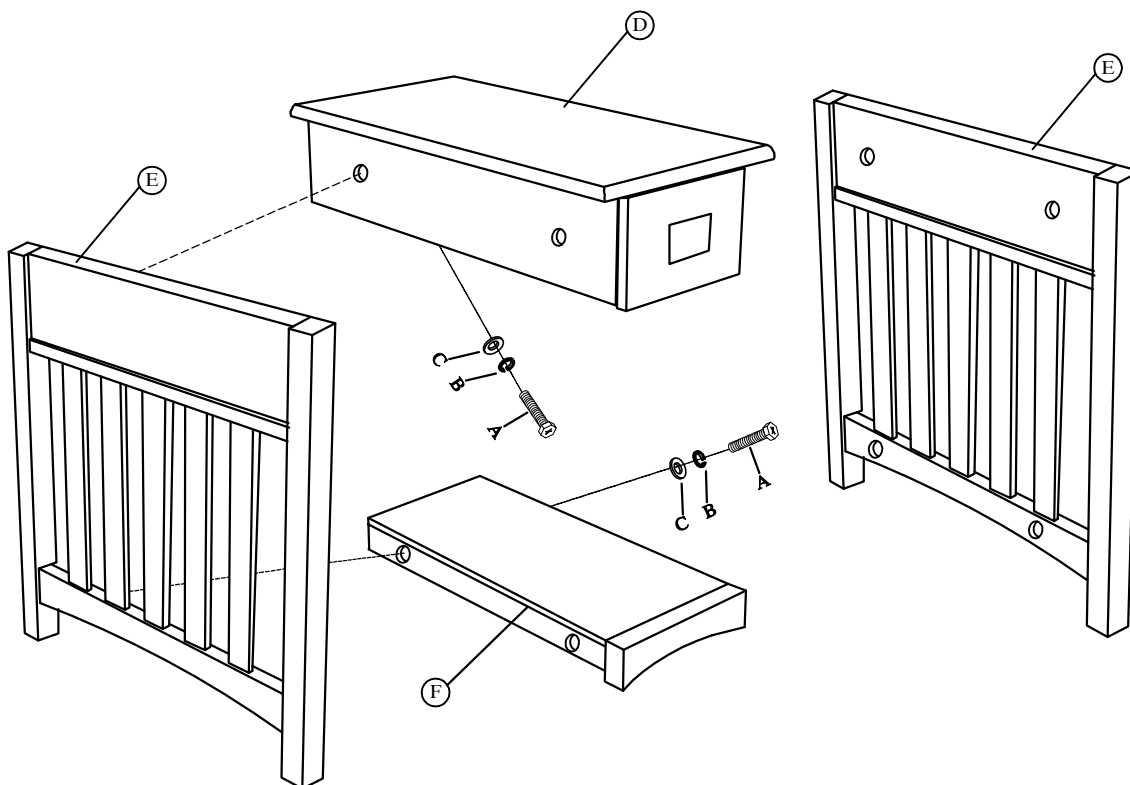
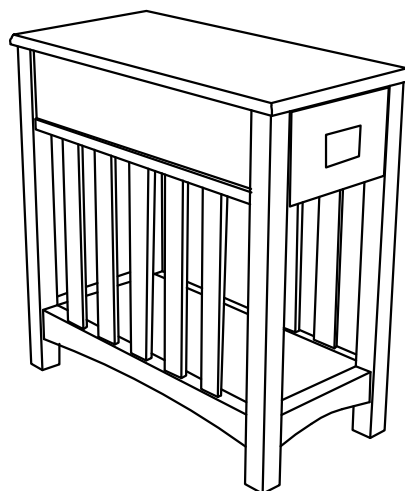
8200 SOUTH CHICAGO AVE., CHICAGO, IL 60617

PACKAGED

- (A) 8- Bolt $\text{Ø } 1/4" \times 1-1/2"$
- (B) 8- Lock Washer $\text{Ø } 1/4"$
- (C) 8- Flat Washer $\text{Ø } 1/4" \times \text{Dia } 16\text{mm}$

Read all instructions before starting assembly.

- (D) 1- Top
- (E) 2- Side Legs
- (F) 1- Bottom Shelf



(*Caution: DO NOT OVERTIGHTEN

In any correspondence regarding this product, please include the complete Butler identification number located on the underside of the product.

We hope this Chairside Table will be a useful and decorative addition to your home for years to come.

Copyright © Butler Specialty Company, 10/20